

Ethernet Alliance - Connecting. Educating. Advancing.

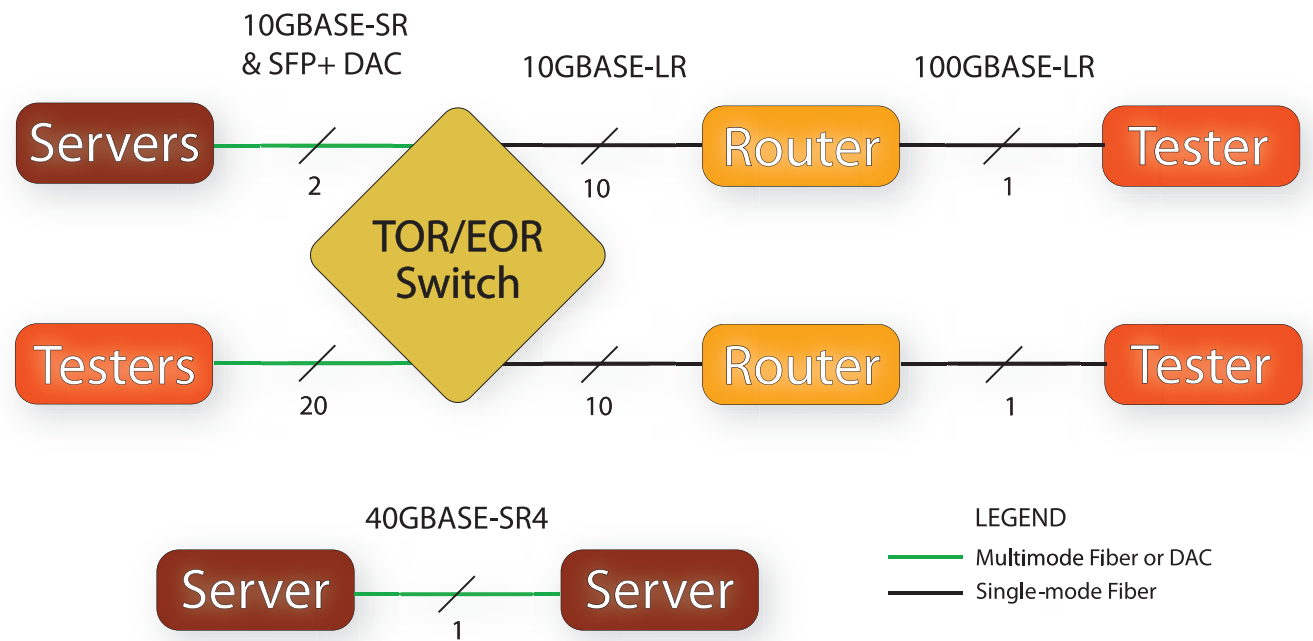
Ethernet Alliance Demo Overview

The OFC/NFOEC 2011 demonstration showcases some of the newest Ethernet technologies available for deployment in data centers, campus backbones and metropolitan networks.

One part of the live demonstration showcases 10 Gigabit Ethernet links being sourced from Ixia and Spirent testers, passing through a Mellanox top-of-rack switch that is handling RDMA over Converged Ethernet (RoCE) traffic, aggregating into two 100 Gigabit Ethernet links in the Cisco routers, and terminating on the testers. The peak bandwidth through the Mellanox switch is 420 Gb/s. The bandwidth sum for all the equipment in the demonstration is over 1.3 Tb/s.

The other part of the demonstration showcases two back-to-back servers streaming 40 Gigabit Ethernet between them using Mellanox adapters.

DEMONSTRATION



LEGEND

- Multimode Fiber or DAC
- Single-mode Fiber

GLOSSARY

- TOR - Top of Rack
- EOR - End of Row
- DAC - Direct Attach Copper Cable



Ethernet Alliance - Connecting. Educating. Advancing.

About the Ethernet Alliance

While IEEE 802 Ethernet technology has existed for over 30 years, it has lacked an industry voice that represents the spectrum of standards-based Ethernet. The Ethernet Alliance serves the Ethernet industry to assist with the on-going incubation, development, interoperability testing and support of technologies based or dependent upon Ethernet standards.

WHO WE ARE:

The Ethernet Alliance is a global community that includes system vendors, component vendors, end users, industry experts and university and government professionals who are committed to the continued success and expansion of Ethernet technology.

MISSION:

The Ethernet Alliance brings Ethernet standards to life by supporting activities that span from incubation to interoperability demonstrations and education.

PARTICIPANTS IN THE OFC/NFOEC 2011 DEMONSTRATION

