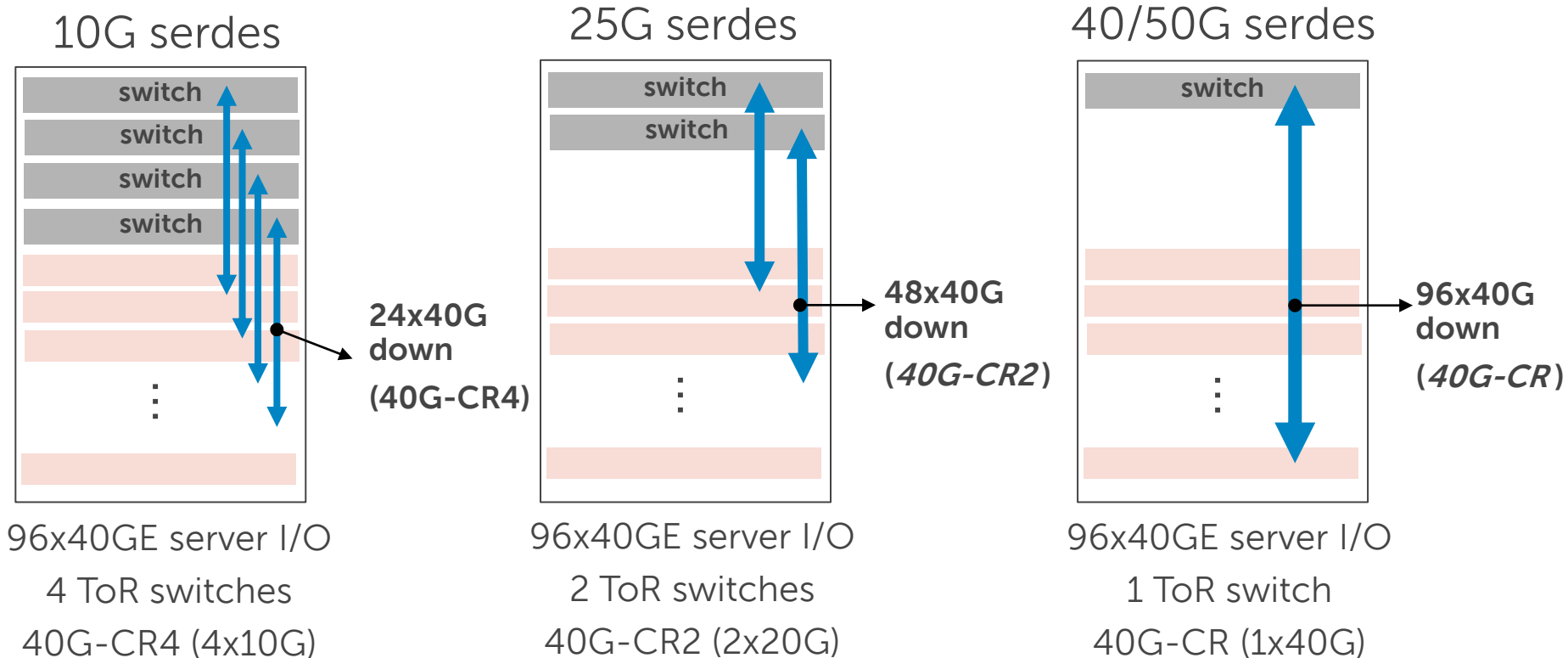

40G serial applications



Kapil Shrikhande
Pre-CFI discussion, Norfolk VA, May 2014

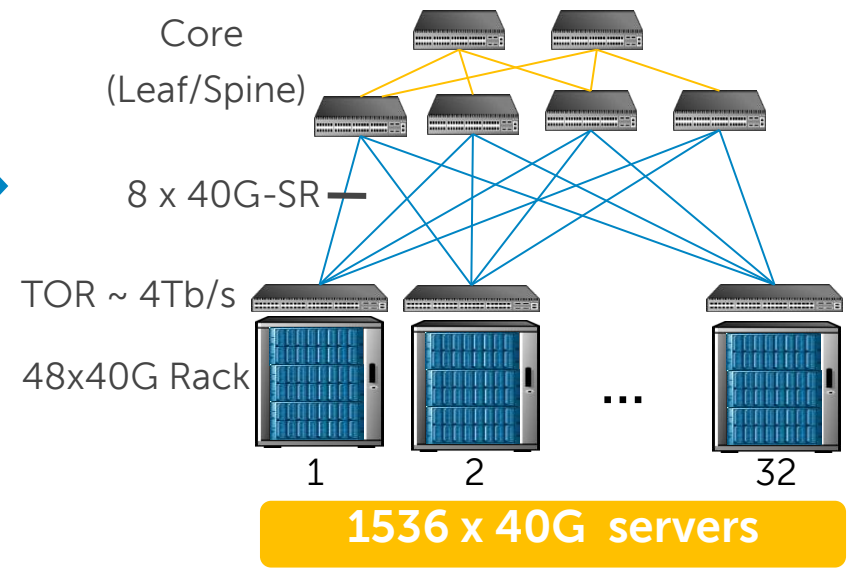
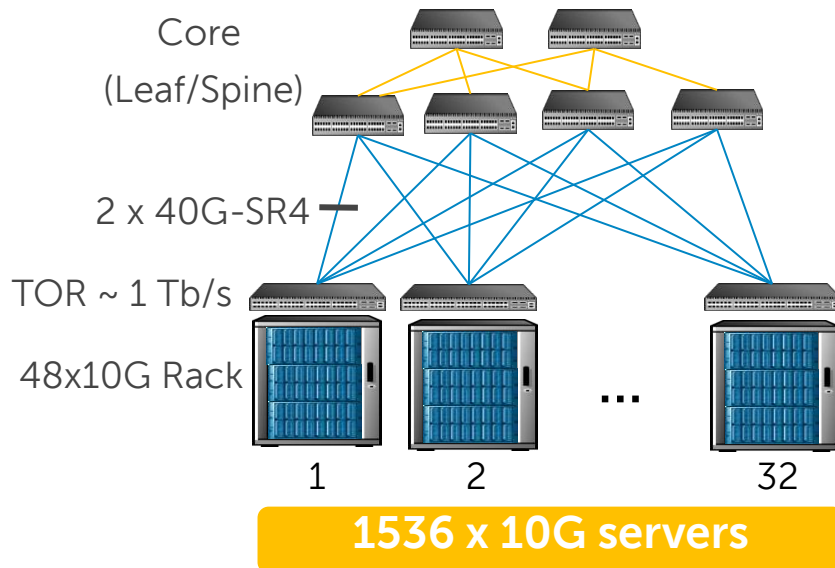
High-density rack

- 40G (4x10G) → 40G (2x20G) → 40G-serial
- 2x networking cost savings at each step possible



Network scaling

- Efficient scaling of the network using 40G-serial optical
- MMF example:
 - 2 x 40G-SR4 over 16 fibers
 - 8 x 40G-SR over 16 fibers



DC switches

- 40GE took off in the data-center (up to ~ 500 port count switches based on 4x10G technology)
- 40G-serial for 4x scaling with good density (SFP40 ? 4x40 QSFP ?)

