

A photograph of a surfer in a black wetsuit riding a large, curling wave. The wave is a deep green color with white foam at the top. The surfer is positioned in the lower left of the frame, riding the base of the wave's face. The sky is a pale, hazy blue.

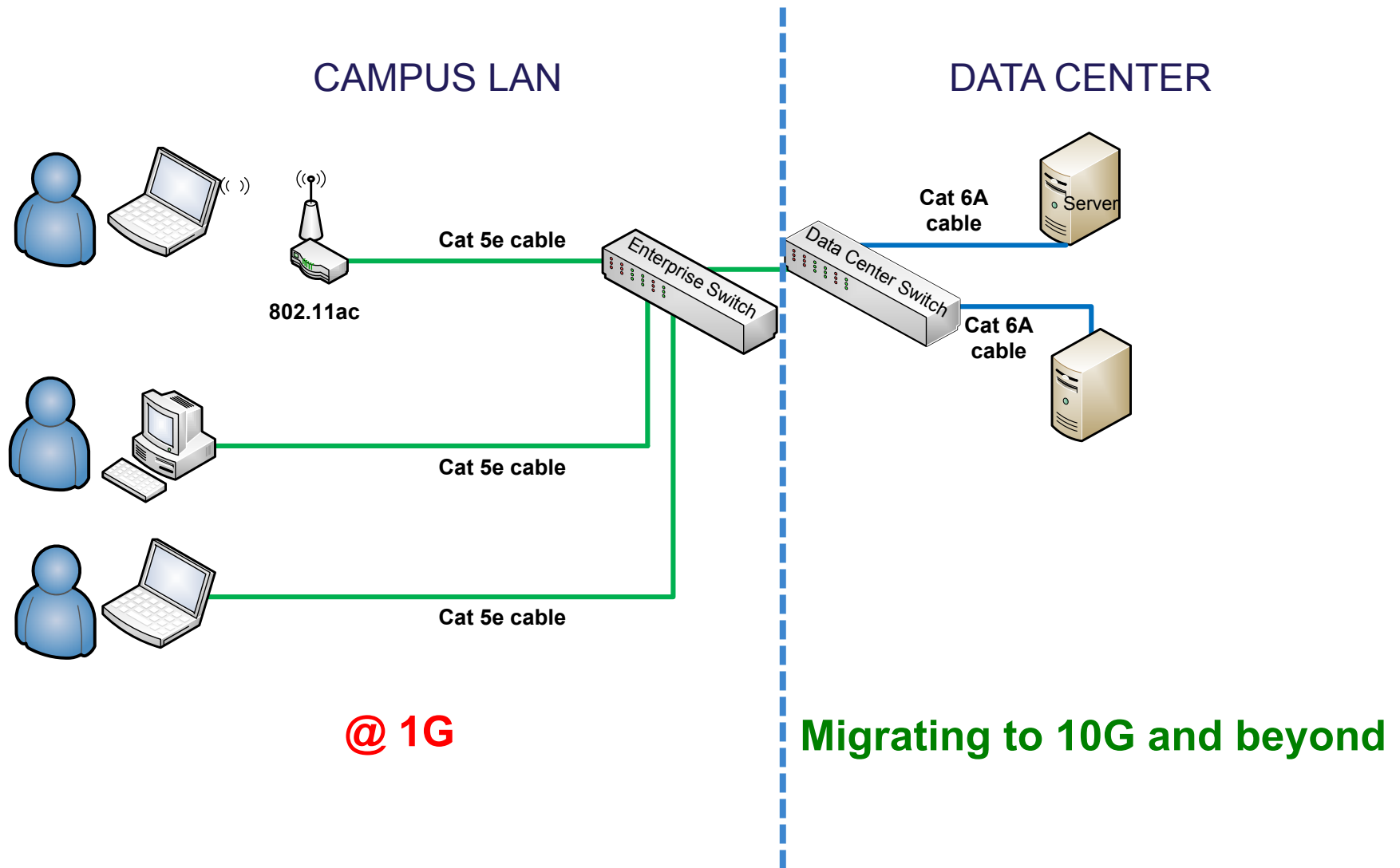
2.5G and 5G Rates for Enterprise Networks

Kamal Dalmia
VP of Marketing and Sales

AQUANTIA[®]

October 2014

Wired Infrastructure Today



Some Examples of 11ac Access Points Shipping Today



Cxxxx Mxxxx MR34
1.75Gbps



Axxxx 220
1.9Gbps

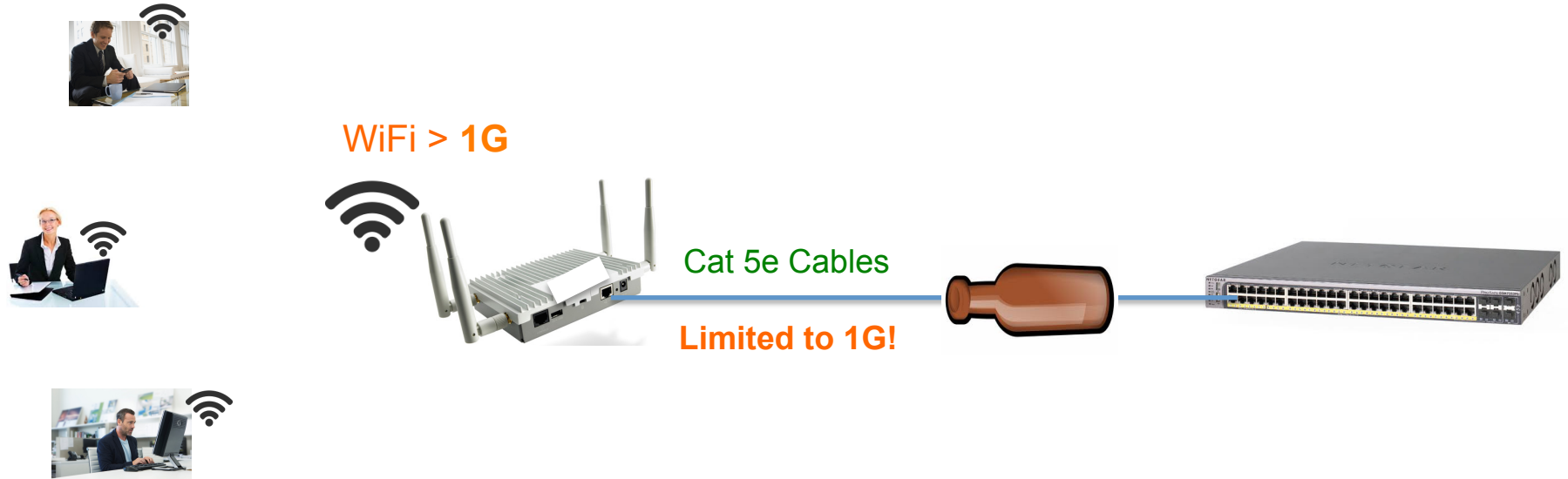


Dxxxx AC1900
1.9Gbps



Nxxxxxxxx AC3200
3.2Gbps

802.11ac Urgently Needs Faster Ethernet

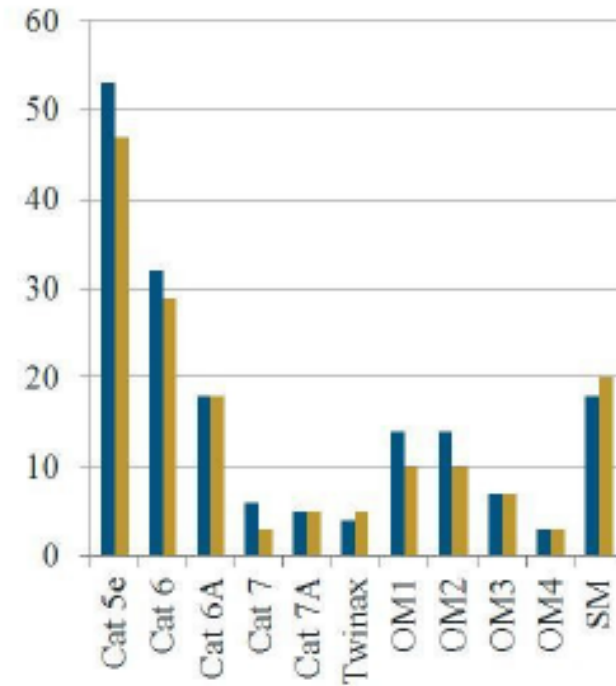


- Gigabit Ethernet is not enough bandwidth any longer
- Market needs PHY technology to support >1G over existing cables

Why Not Use 10GBASE-T?

UTP Cable	IEEE 10G Spec
CAT 5/5e	N/A
CAT 6	55 meters
CAT 6A	100 meters
CAT 7	100 meters

>85% of WW installed base is Cat 5e/6 up to 100 meters

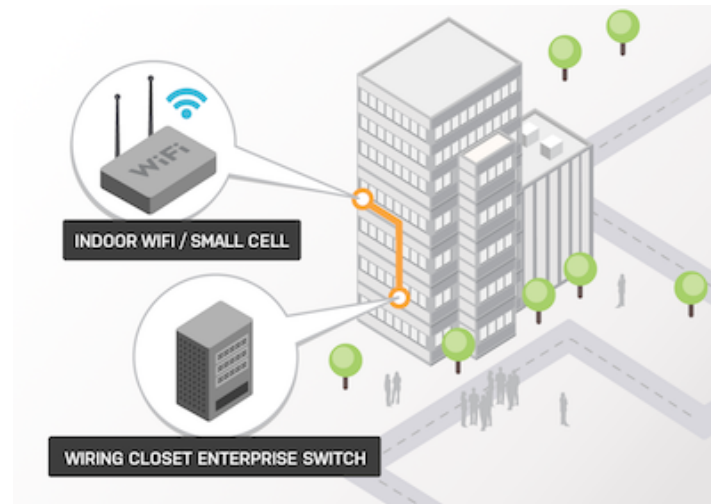


Source: Cable and Install Magazine
Feb 2014

What About Pulling Second Cable?

Infrastructure upgrade involves

- New cable runs, including labor: average **\$300 per cable**
- Link Aggregation issues



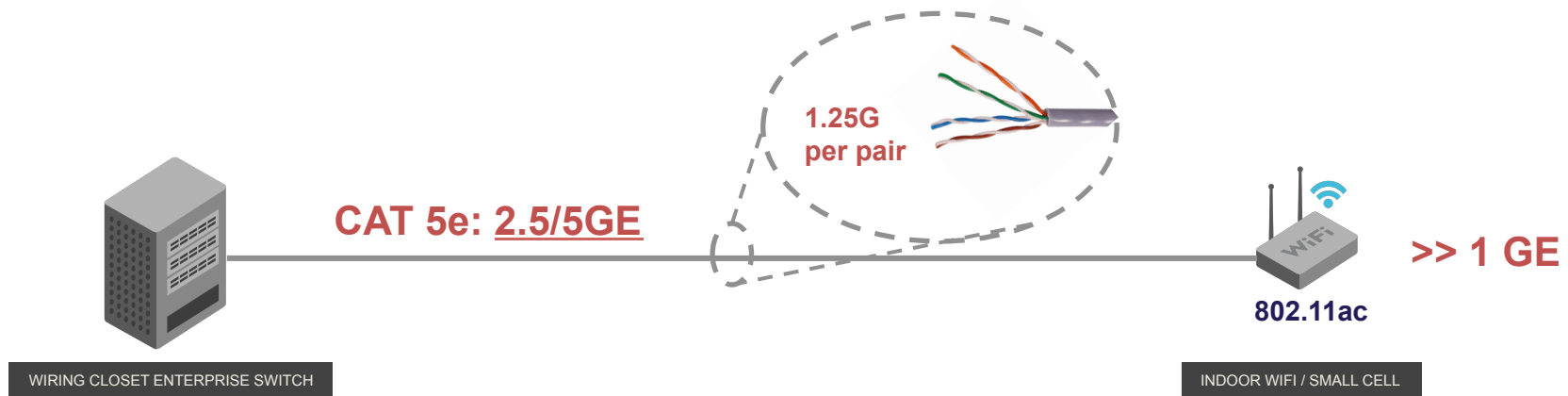
Case study: College Campus

- 1,000 Access Points

TOTAL COST: \$300k!!!

2.5G/ 5G Technology

- PHY products are in the market now
- System level products are expected to be in market soon
- Industry alliance to enable the ecosystem
- Strongly encouraging IEEE standardization



THANK YOU!

AQUANTIA®