

## ECOC PARTICIPANTS

Amphenol®

ARISTA



COMMSCOPE®

EXFO



Tektronix®

XENA  
NETWORKS

## DEMONSTRATION INTERCONNECTS EQUIPMENT

Amphenol®

- OSFP 400Gb Copper Cable Assemblies
- QSFP-DD 400Gb Copper Cable Assemblies
- QSFP 100Gb Copper Cable Assemblies
- QSFP OverPass Cable Assemblies
- C2LINX Hyper Density Fiber Distribution
- C2™ AOM Modules and Cassettes
- ACCE-10DX-DSBLK cable manager
- LC-LC MM and SM patch cords
- 12MPO-12MPO MM
- 12MPO-12MPO SM

ARISTA

- 400G: OSFP-400G-SR8  
OSFP-400G-FR4  
OSFP-400G-DR4  
AOC-O-O-400G-xM  
OSFP-400G-2FR4  
CAB-O-O-400G-3.5M
- 100G: QSFP-100G-DR



- 400G: QDD-400G-LR8-S  
QDD-400G-FR4-S  
QDD-400G-DR4-S  
QDD-400G-SR8-S
- 100G: QSFP-100G-FR-S

COMMSCOPE®

- SYSTIMAX Ultra-Low-Loss Conversion Modules
- SYSTIMAX Ultra-Low-Loss MPO Trunk Cables
- SYSTIMAX EHD Fiber Panels
- SYSTIMAX EHD ULL Distribution Modules and Adapter Packs
- High-Density Front-Loading Cable Manager
- 16F MM MPO Cable
- CS-LC Patchcord
- FACT Optical Distribution Frame (ODF)



TE Connectivity Direct Attach Copper Cable Assemblies using TE's TurboTwin cable, as follows:

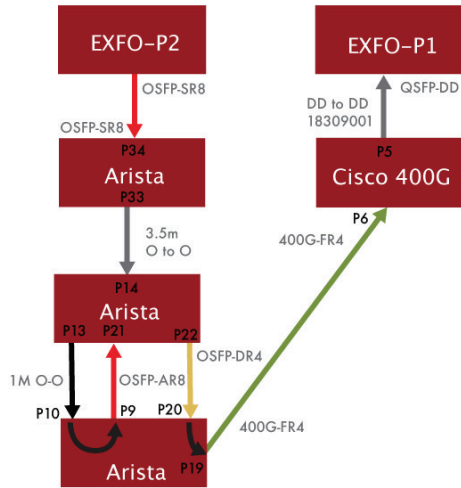
- TE SFP56 50G Direct Attach Cable Assembly
- TE QSFP56 200G Direct Attach Cable Assembly
- TE QSFP-DD 400G Direct Attach Cable Assembly
- TE OSFP 400G Direct Attach Cable Assembly
- TE OSFP to QSFP-DD 400G Direct Attach Cable Assembly
- TE QSFP-DD to 2x QSFP 2x200G Breakout Direct Attach Cable Assembly
- TE QSFP-DD to 4x QSFP 4x100G Breakout Direct Attach Cable Assembly
- TE QSFP-DD to 8x SFP 8x50G Breakout Direct Attach Cable Assembly
- TE OSFP to 2x QSFP 2x200G Breakout Direct Attach Cable Assembly
- TE OSFP to 4x QSFP 4x100G Breakout Direct Attach Cable Assembly



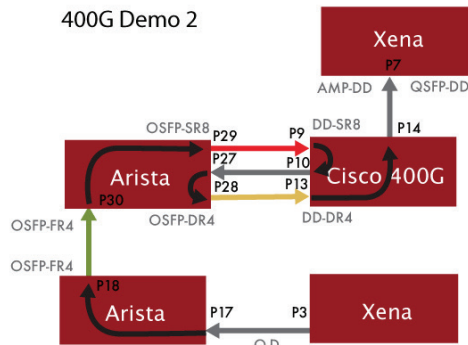
# #NextEthernetEra

www.ethernetalliance.org

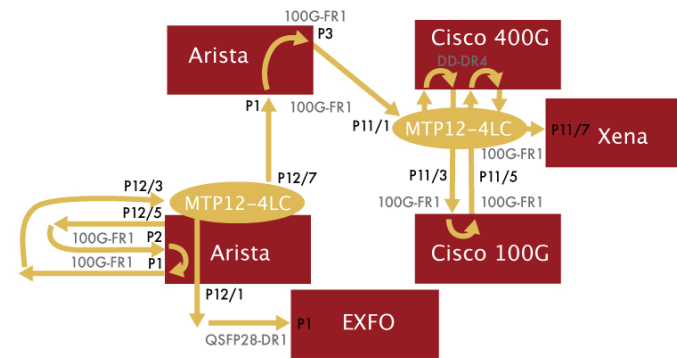
### 400G Demo 1



### 400G Demo 2

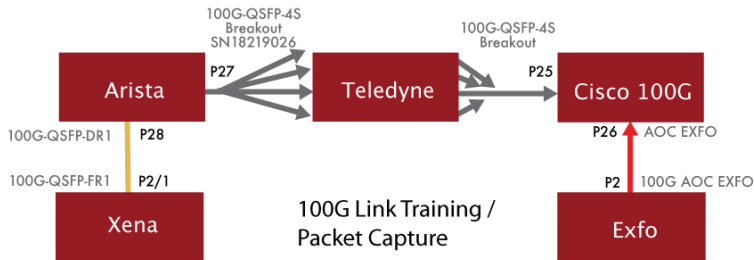


### 100G-DR / D4 Demo

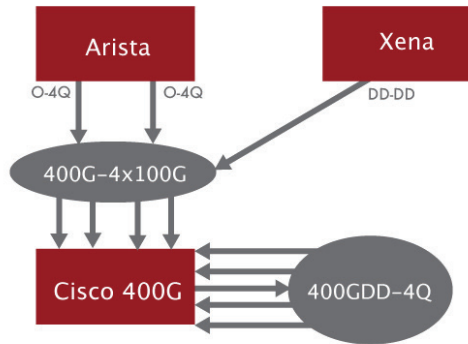


### Interconnect Participants

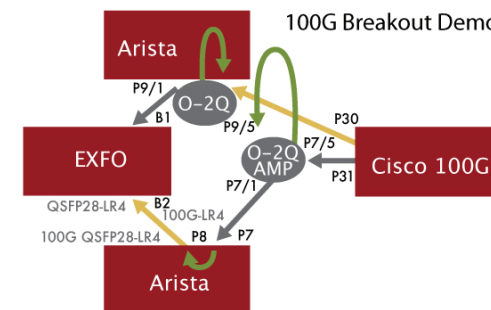
- Amphenol
- Arista
- Cisco
- Commscope
- TE Connectivity



### 4x100G PAM4 Demo



### 100G Breakout Demo



### 200G Demo



- Legend
- MM-MTP16
  - SM-MTP12
  - SM-LC
  - LC-CS