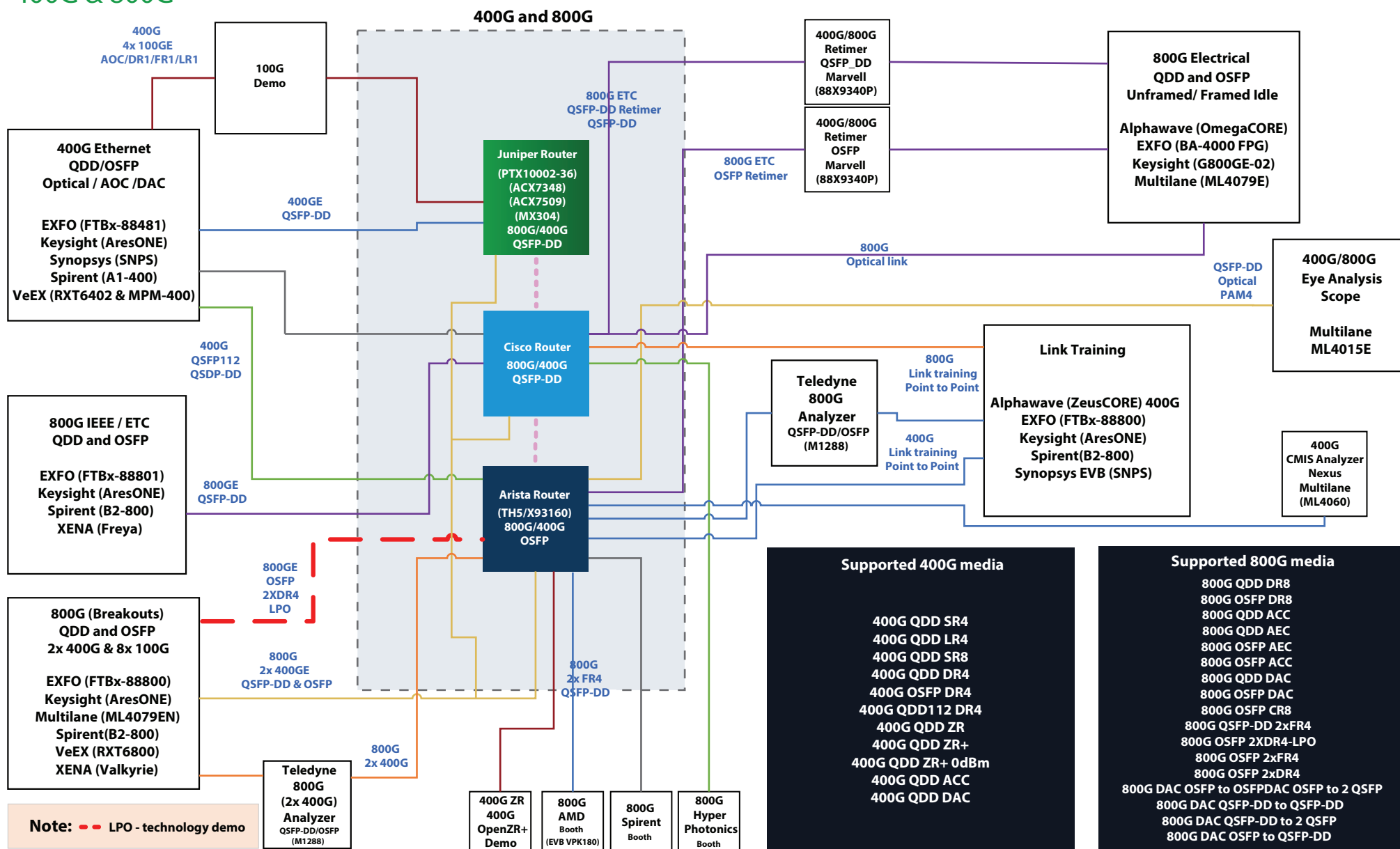
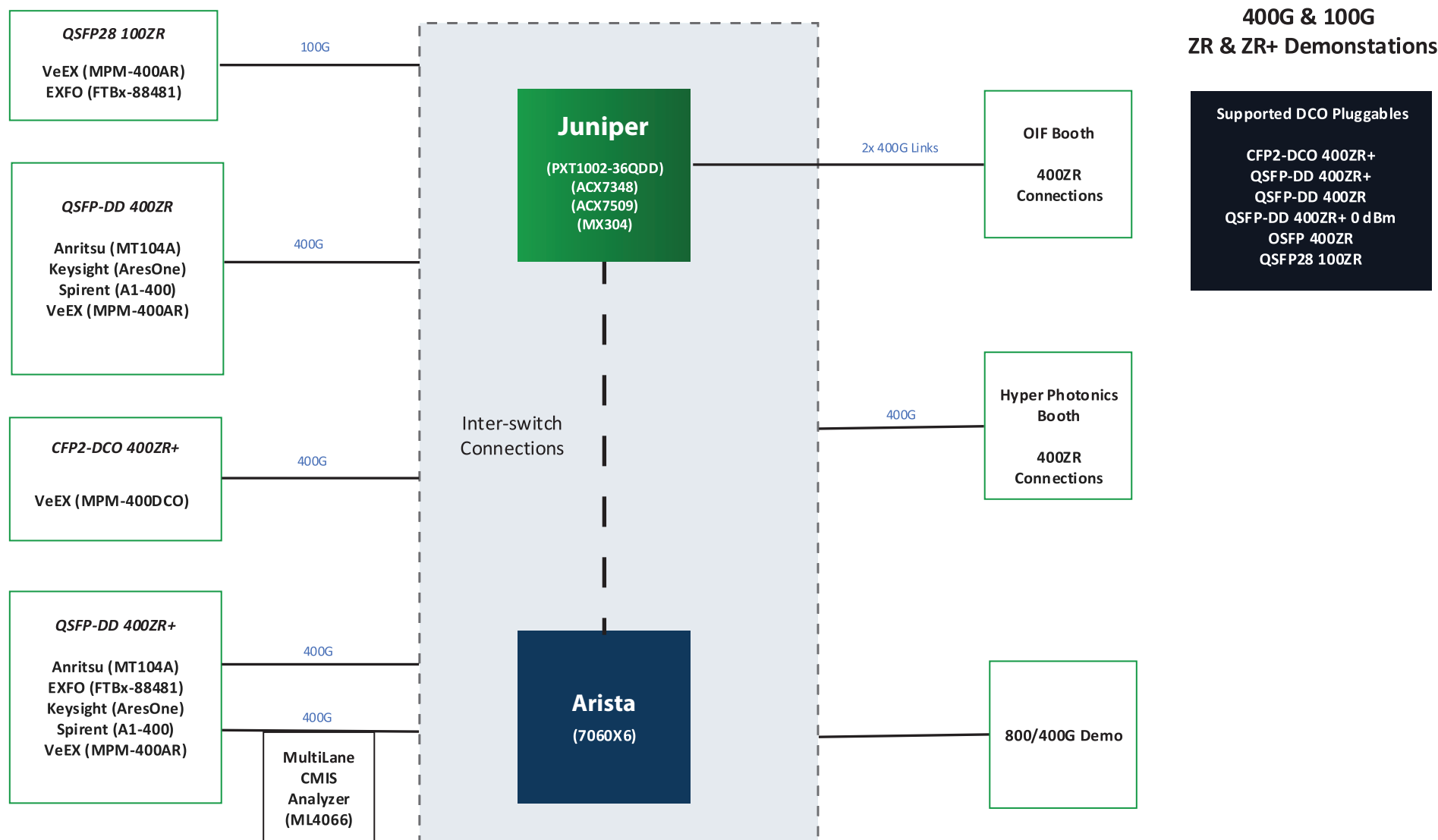


400G & 800G



ZR & ZR+ Switch Fabric



BOOTH PARTICIPANTS

ARISTA

CISCO

HYPHER PHOTONIX

EXFO

Amphenol

Spirent

TELEDYNE LECROY
Everywhere you look

ALPHAWAVE SEMI

Anritsu
Advancing beyond

KEYSIGHT

WILDER TECHNOLOGIES
It's all about integrity

VeEX
The Verification Experts

multiLane

AMD

PANDUIT

JUNIPER NETWORKS

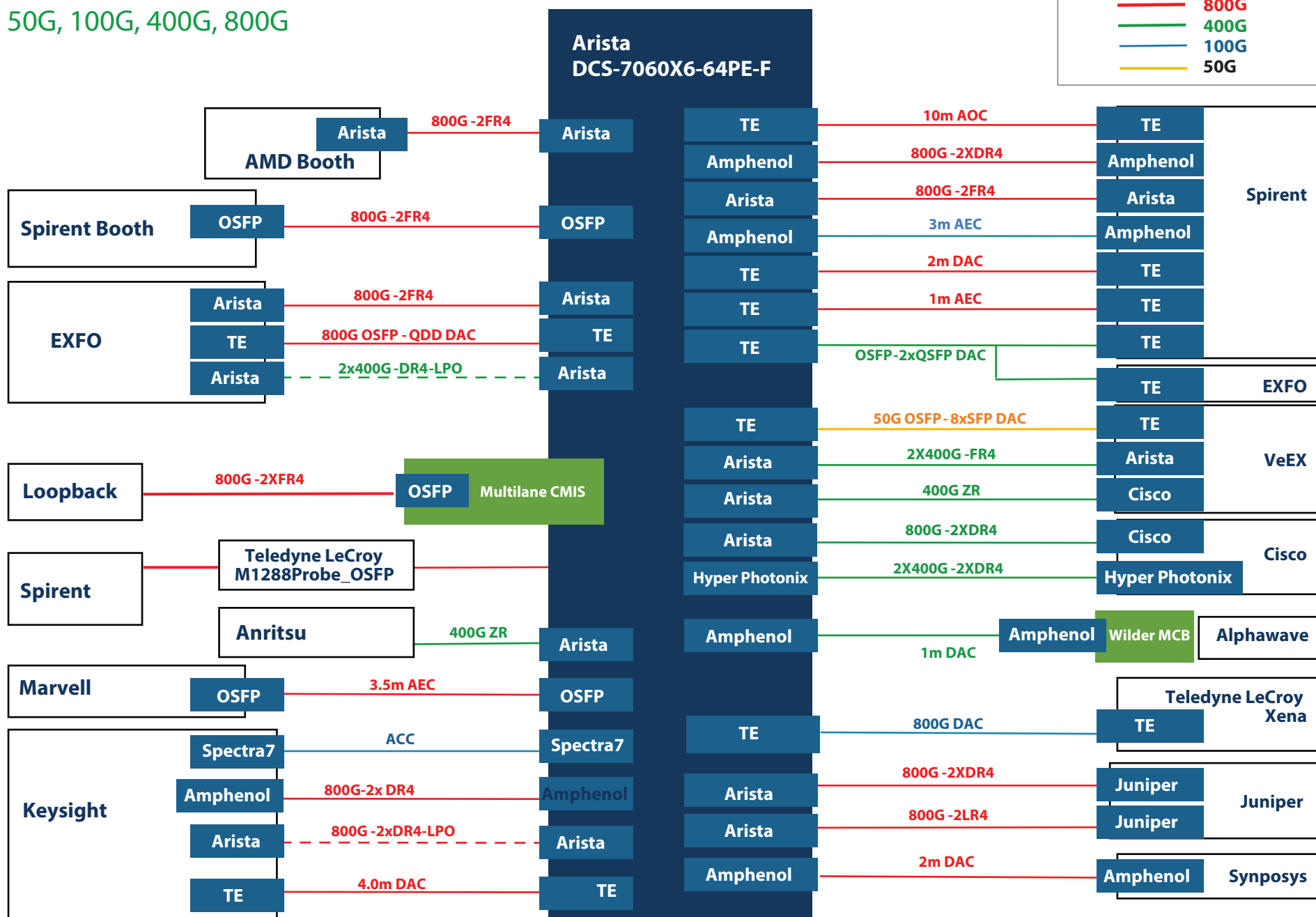
MARVELL

SPECTRA7

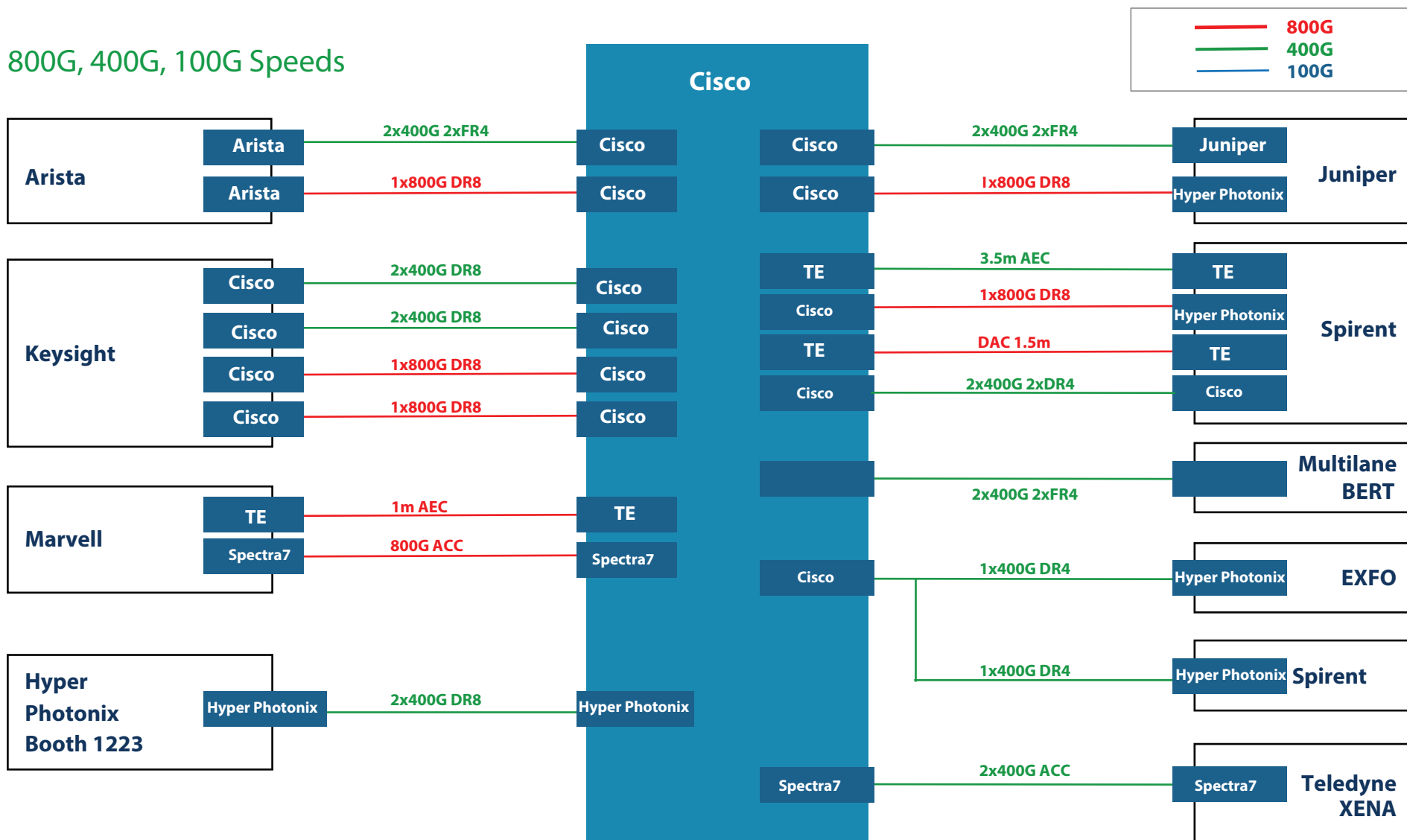
SYNOPTSYS

TE connectivity

50G, 100G, 400G, 800G



800G, 400G, 100G Speeds

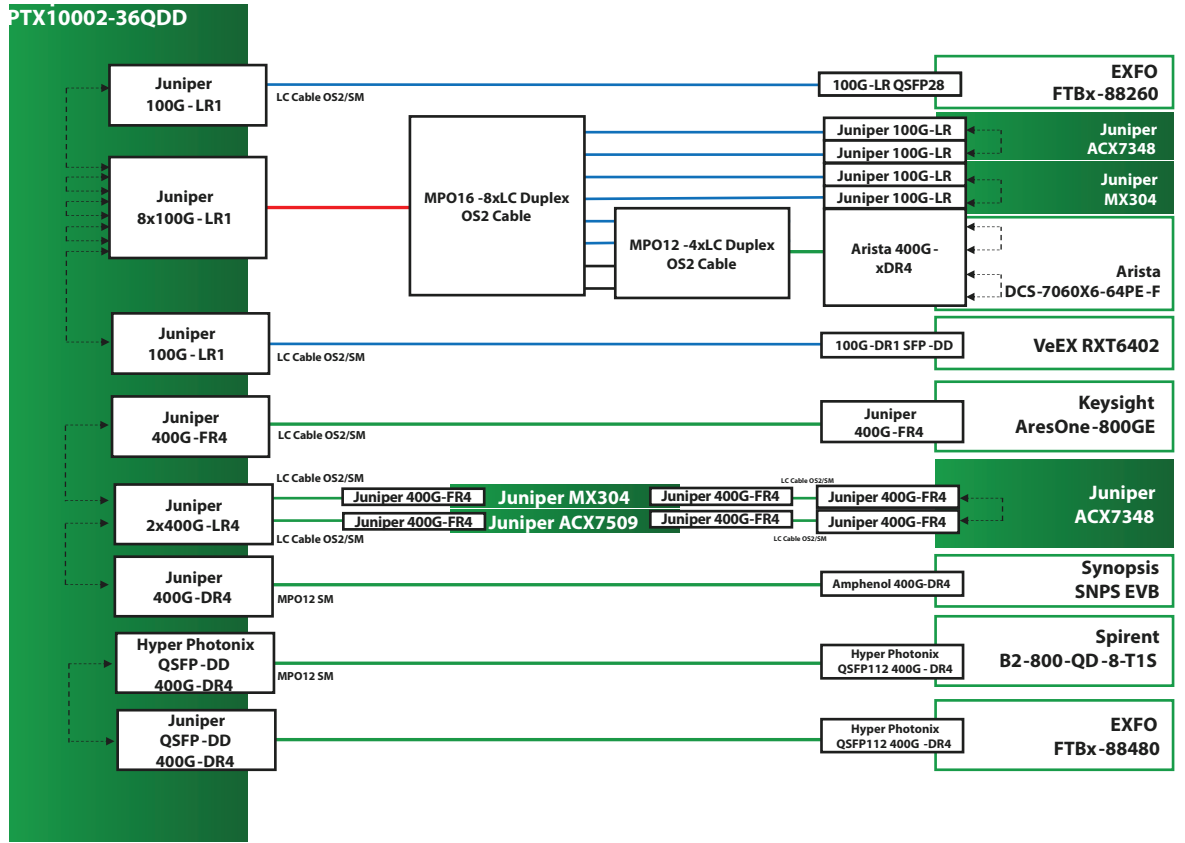
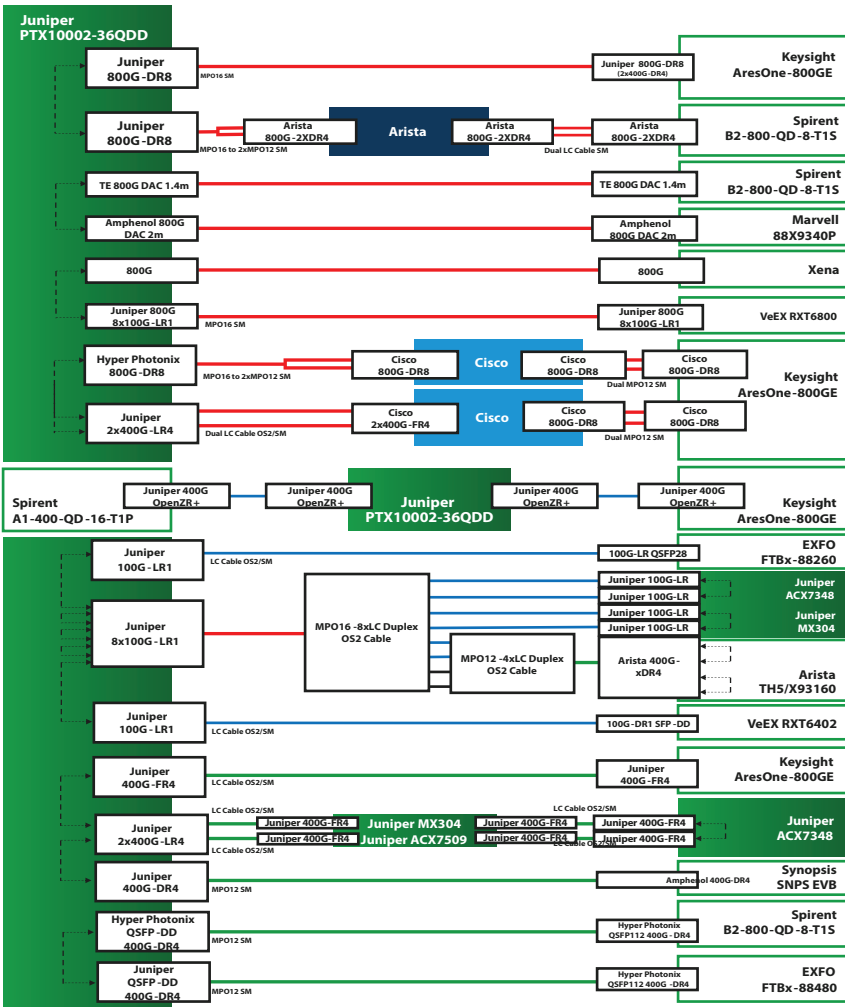
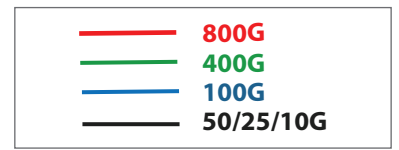


BOOTH PARTICIPANTS

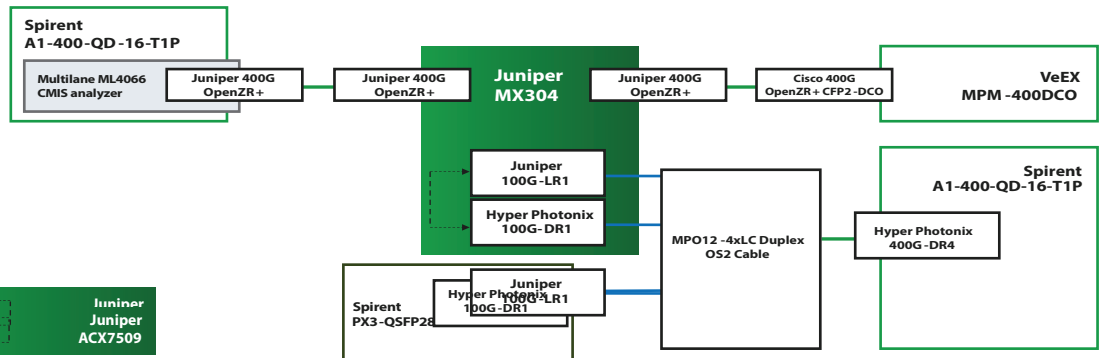
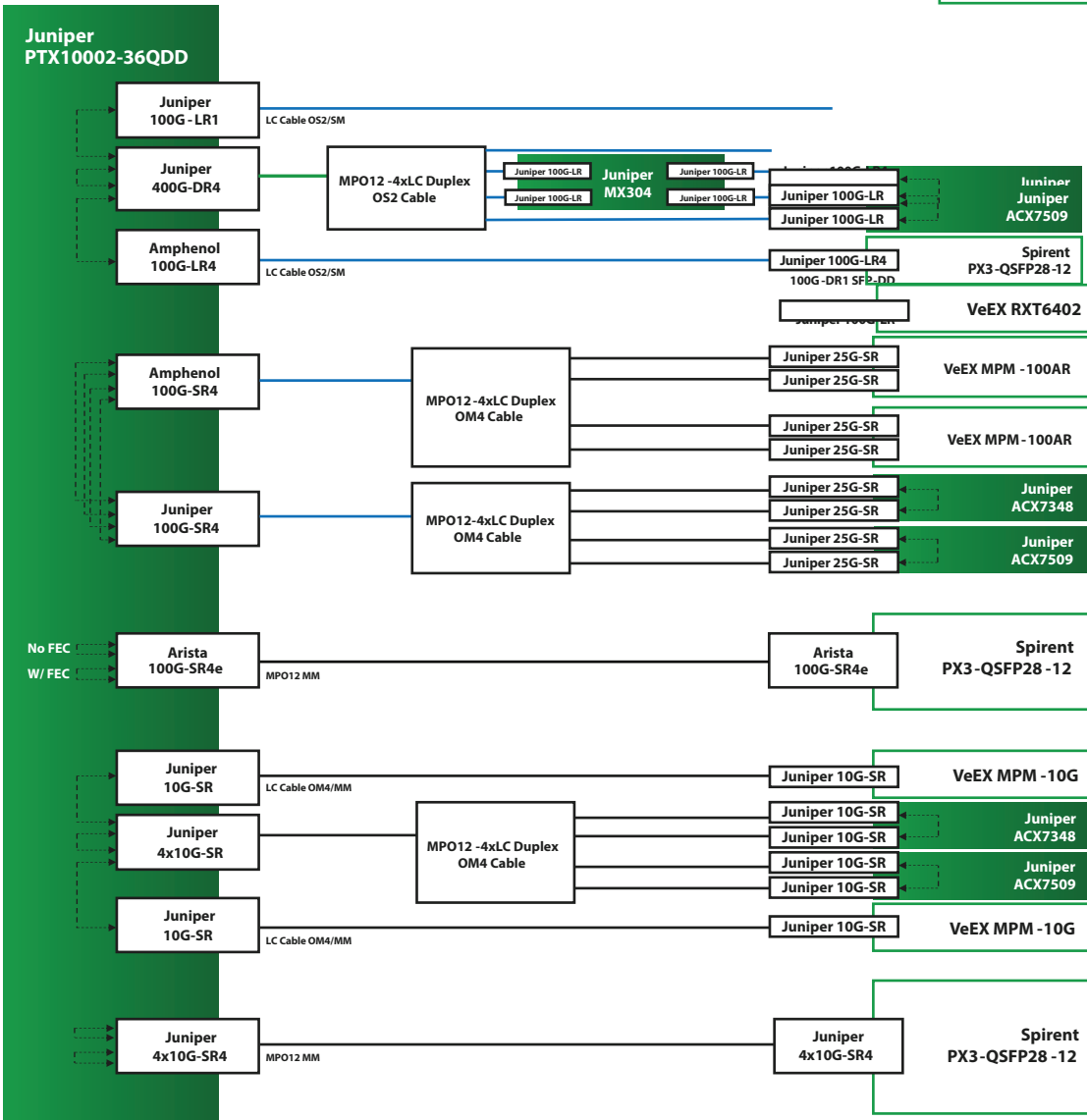


100G, 400G, 800G Demo

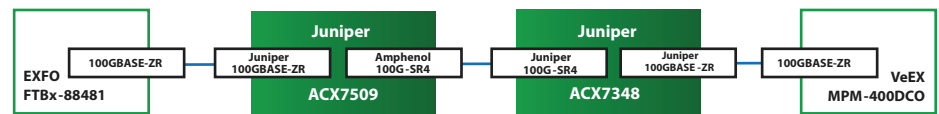
400G & 100G Demo



100G, 25G, 10G Demo



100G Demo



BOOTH PARTICIPANTS



Keysight to Spirent



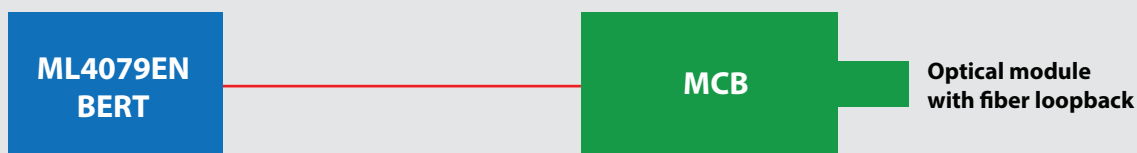
Spirent Loop Back at 400G



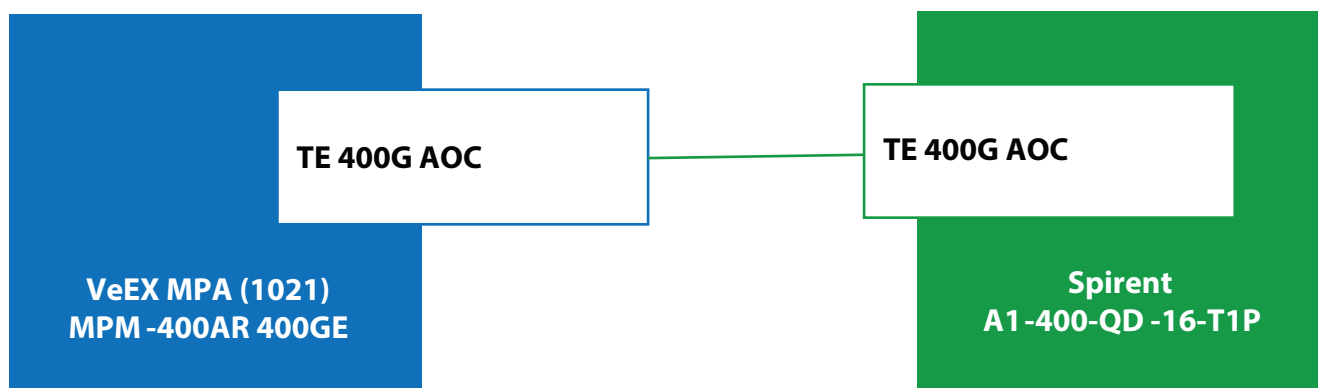
Spirent to Keysight Ixia at 800G



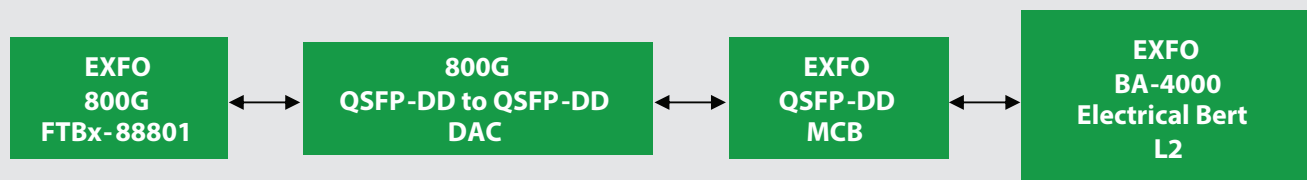
Multilane Jitter Interjection 800G BERT Demo



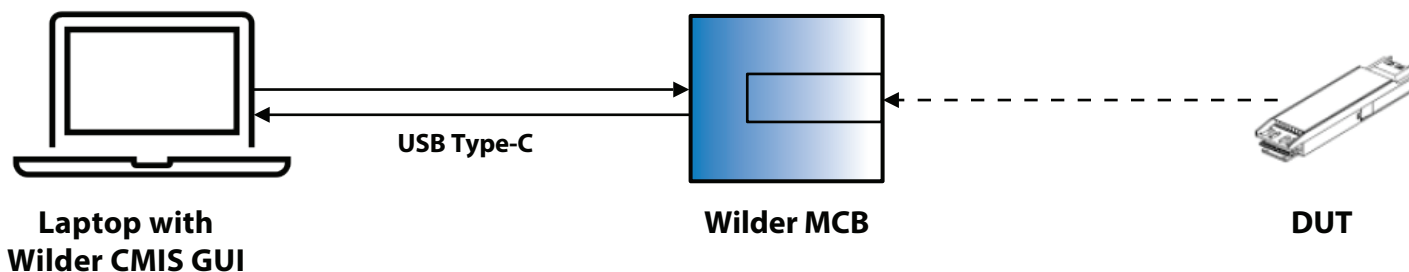
VeEX 400G AOC



EXFO 800G Physical to Protocol Active Demo



Wilder CMIS via MCB Demo



BOOTH PARTICIPANTS

